

# DiagRA MCD Toolset



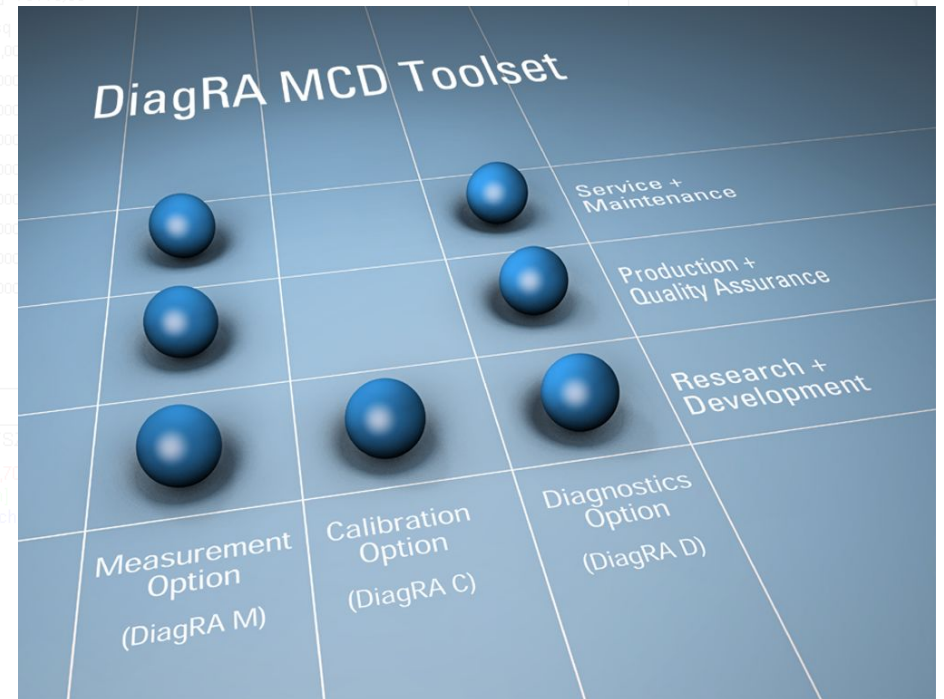
## Presentation

# DiagRA MCD Toolset

RA Consulting GmbH

Testing Expo 2005

Stand #4230



# DiagRA MCD Toolset RA Consulting

**1989** Spin off from  
Nuclear research Centre Karlsruhe

**1992** Oracle-Partnership

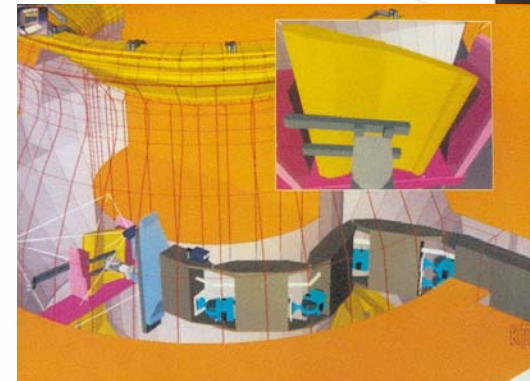
**1994** Oracle Competence Center (one of 60 in  
Germany)

**1997** Own SW-Suite for ECU-Diagnostics

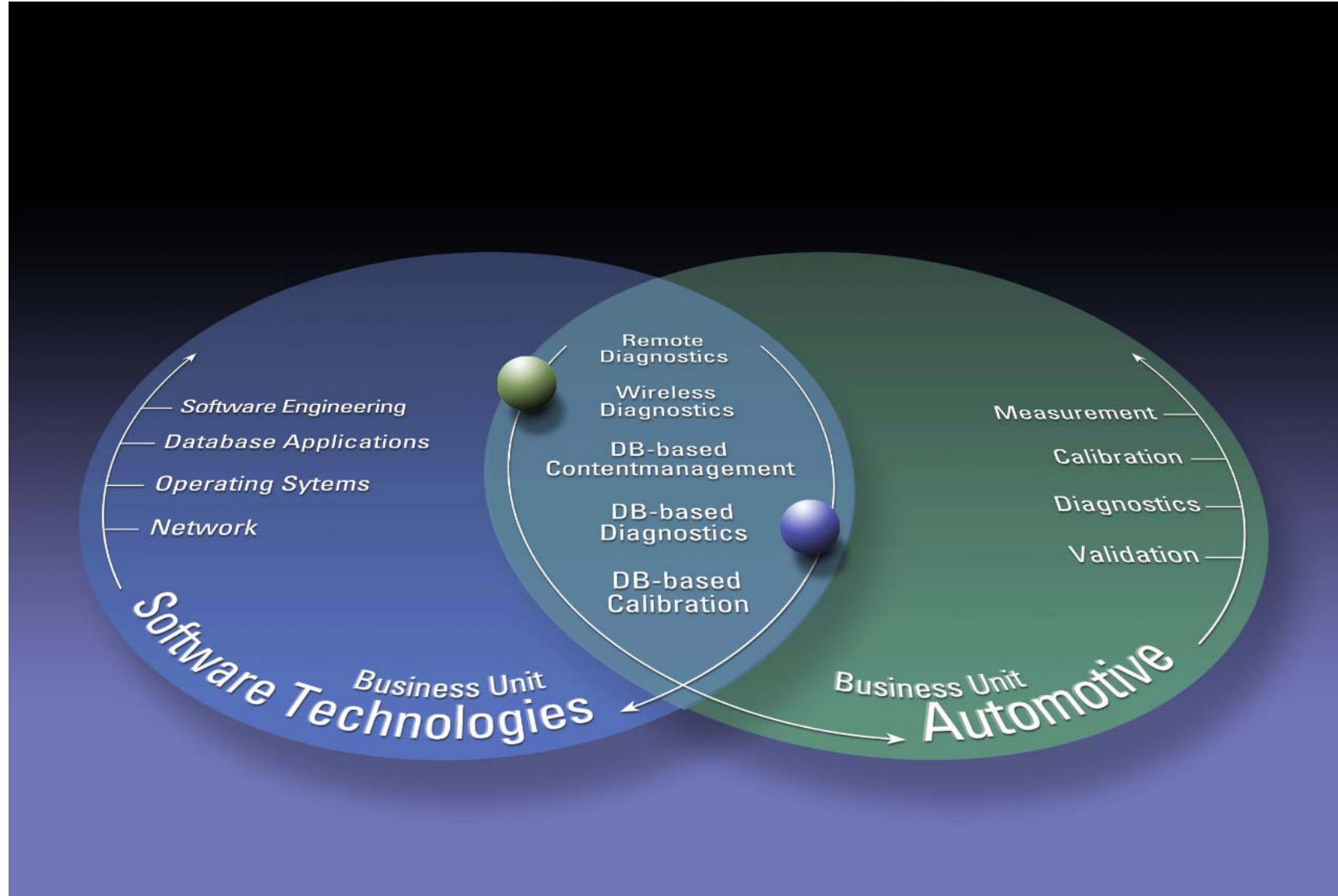
**2000** Market Introduction of mobile applications on  
Personal Digital Assistant (DiagRA CE)

**2002** Own SW-application for ECU-Calibration

**2003** Over 100 Corporate Customers



# DiagRA MCD Toolset RA Consulting



# DiagRA MCD Toolset RA Consulting

Right Time

Right Place

Right Solution

Right Price

## Automotive ...



## Industrie / Maschinenbau ...



## Dienstleister ...



## Sonstige ...







- Modular, integrated toolset with function blocks: Measurement, calibration, diagnostics, documentation
- Single modules are usable also „standalone“
- Single modules upgradeable
- Common user interface, consistent handling
- Common use of communication interface devices
- Shared parsers and filters for description files, configuration files and output files
- Standardized data exchange formats



## Light Integration DiagRA MCD 1.0

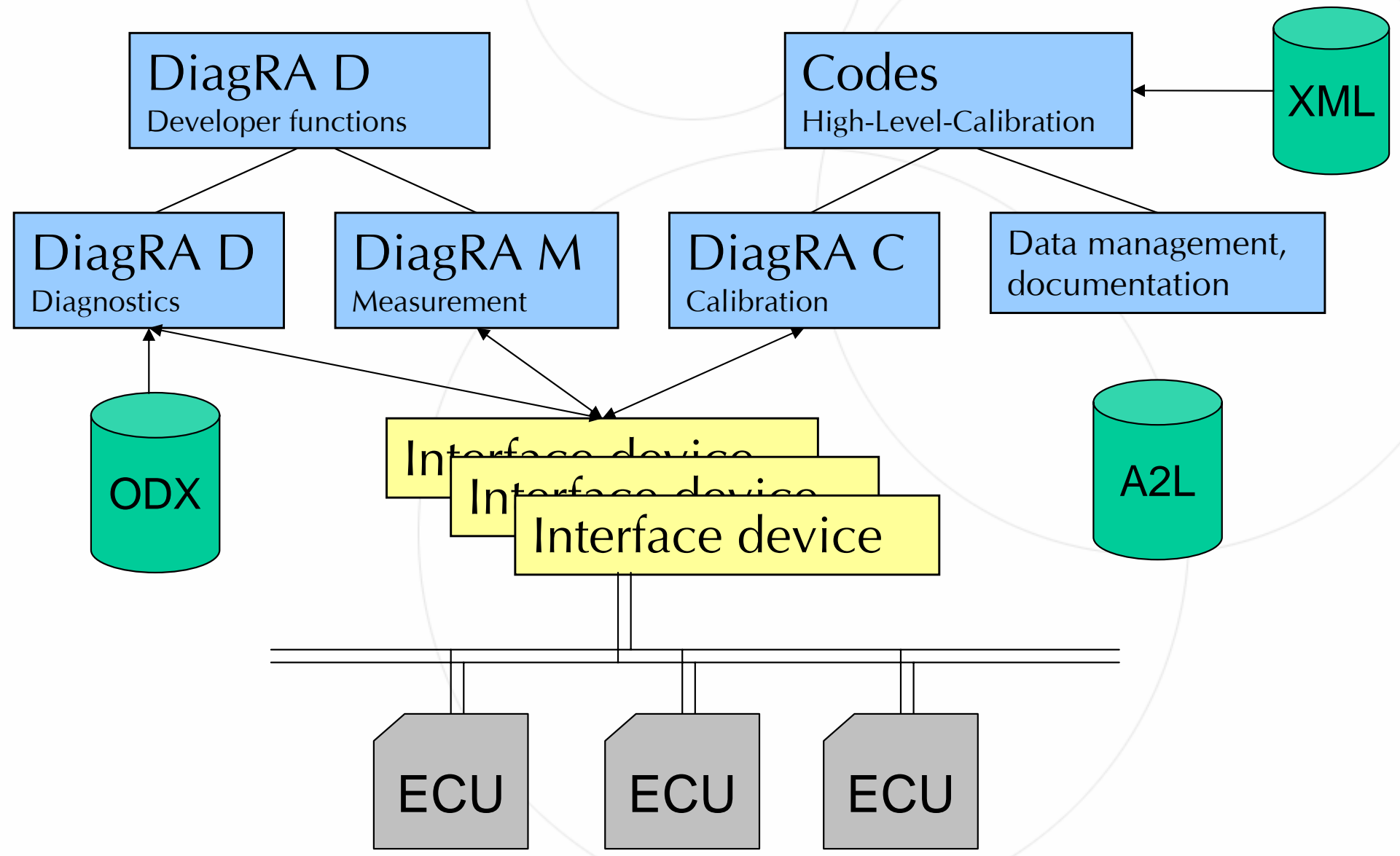
- DiagRA MD 1.0 07/2005
- DiagRA MCD 1.0 12/2005

## Full Integration DiagRA MCD 2.0

- DiagRA MD 2.0 07/2006
- DiagRA MCD 2.0 12/2006

# DiagRA MCD Toolset

# Functionality



# DiagRA MCD Toolset

# Compatibility

Interface devices

Protocols

Standards

- Basic+ XS
- USB2CAN
- PassThru
- CanCard
- Bluetooth
- ...

- CCP
- KWP (K-Line)
- KWP (CAN)
- CAN
- SMB
- ...

- ASAM MCD
- MDF
- DCM
- CANdb
- OBDII/EOBD
- ...

- Measurement, calibrations and diagnostics with one application and one interface device at the same time
- Use of the measurement module functionalities for diagnostics data (measurement value blocks)
- Integration of Codes (editor for structured parameter adjustment of the fault path manager) into DiagRA C (calibrations module)
- Common user Interface, consistent handling
- Synchronization of data between the modules
- Data exchange with other applications by using standard formats
- Simple, transparent license model

